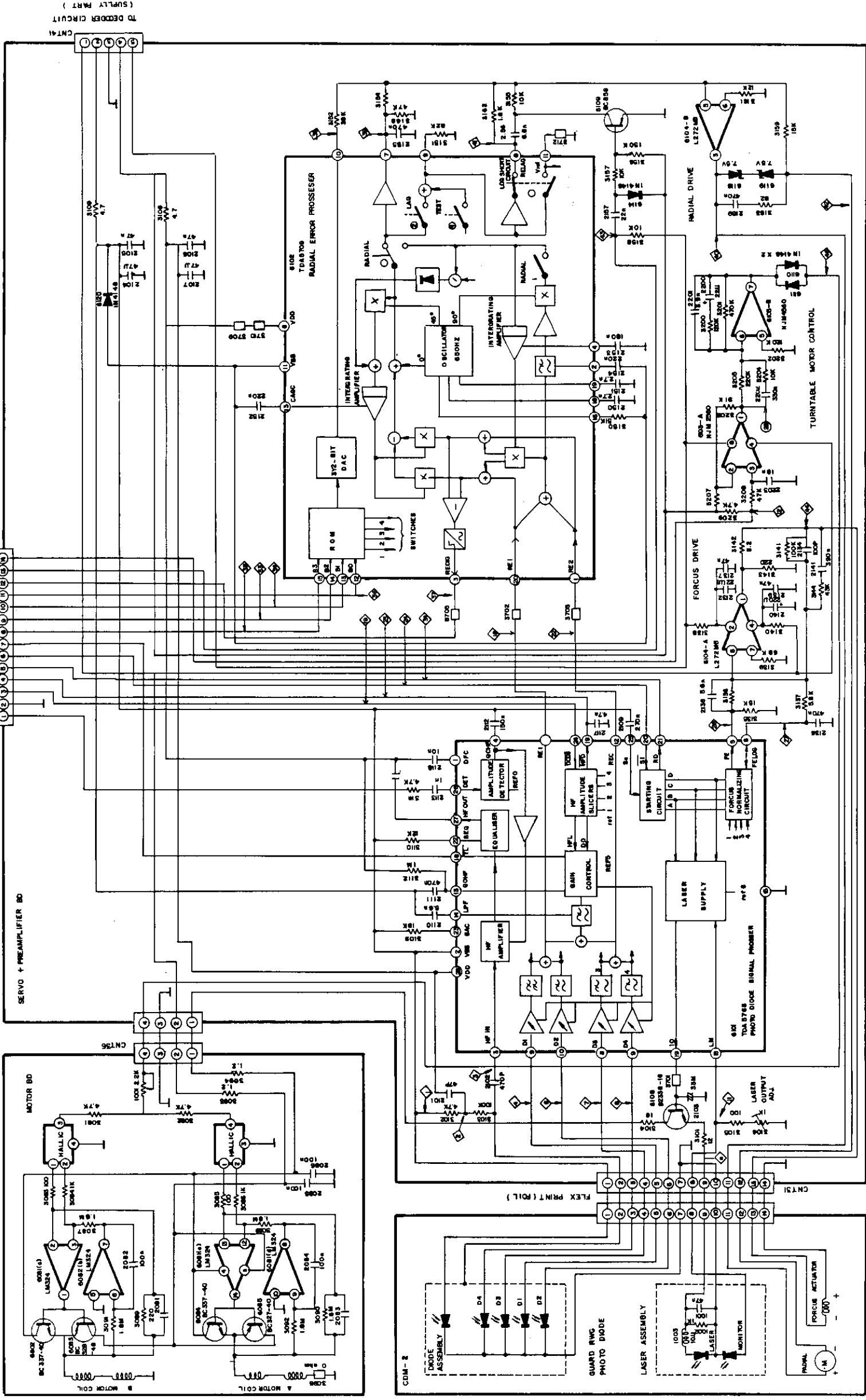


Servo + Pre-Amp + Motor Circuit.



TO DECODER CIRCUIT AND J-P
(SUPPLY PART)
CNT34

SERVO + PRE-AMPLIFIER BD

MOTOR BD

TO DECODER CIRCUIT AND J-P
(SUPPLY PART)
CNT34

SERVO + PRE-AMPLIFIER BD

MOTOR BD

TO DECODER CIRCUIT AND J-P
(SUPPLY PART)
CNT34

SERVO + PRE-AMPLIFIER BD

MOTOR BD